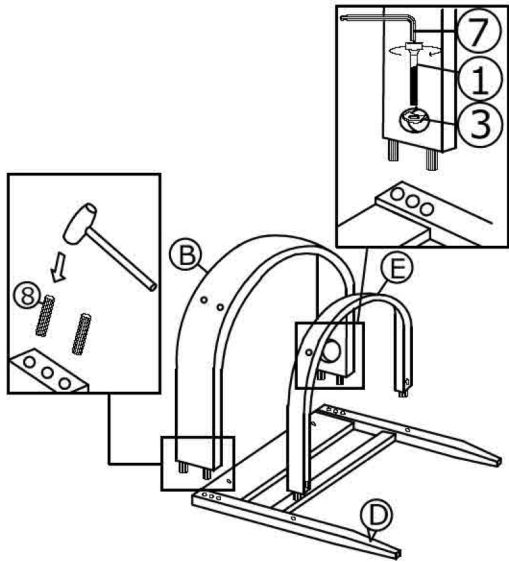
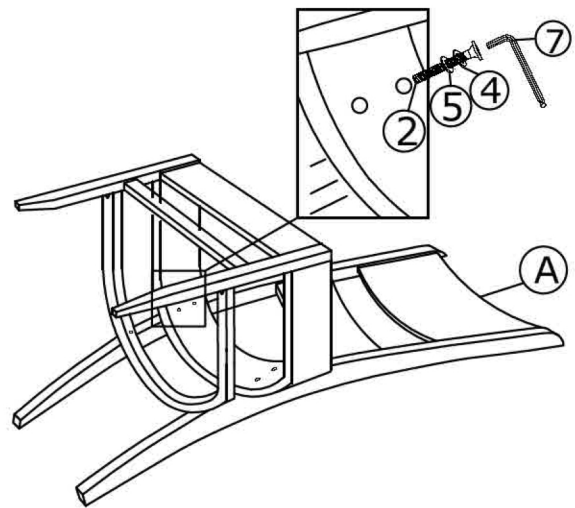


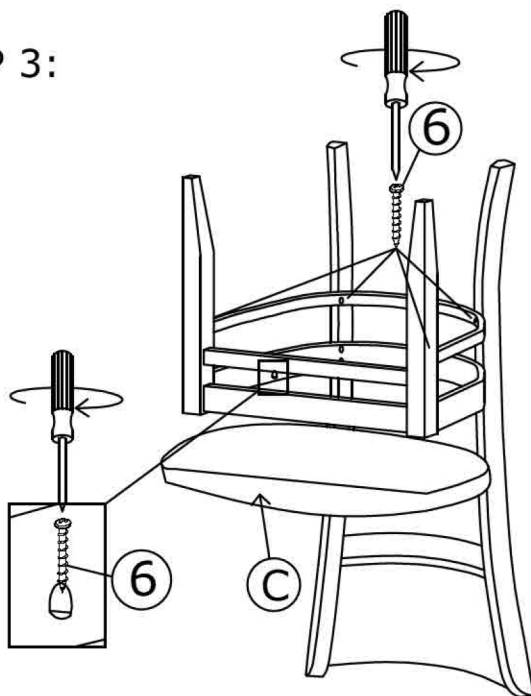
STEP 1:



STEP 2:



STEP 3:

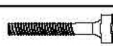
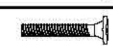

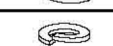
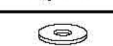
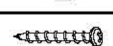
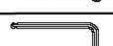



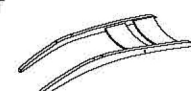
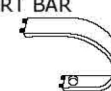

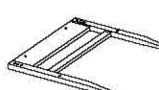
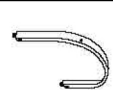
Grace



GastroYou
RESTAURANT • HOTEL • BAR

CAUTION
KEEP ALL THE PARTS OUT OF REACH OF CHILDREN.

ITEM	HARDWARE LIST	QTY	Spare Qty
1	JCCA BOLT M6 X 60MM 	2	1
2	JCBC BOLT M6 X 50MM 	4	1
3	BEND WASHER 	2	1
4	SPRING WASHER M6 	4	1
5	FLAT WASHER 	4	1
6	PH 4 X 32MM (BLACK) 	8	2
7	ALLEN KEY M4 (BALL SHAPE) 	1	
8	WOOD DOWEL 8 X 35MM 	4	1

ITEM	PART LIST	QTY
A	BACK REST 	1
B	'U' FRAME SUPPORT BAR 	1
C	CHAIR SEAT 	1
D	FRONT LEG 	1
E	'U' RAIL BAR 	1